

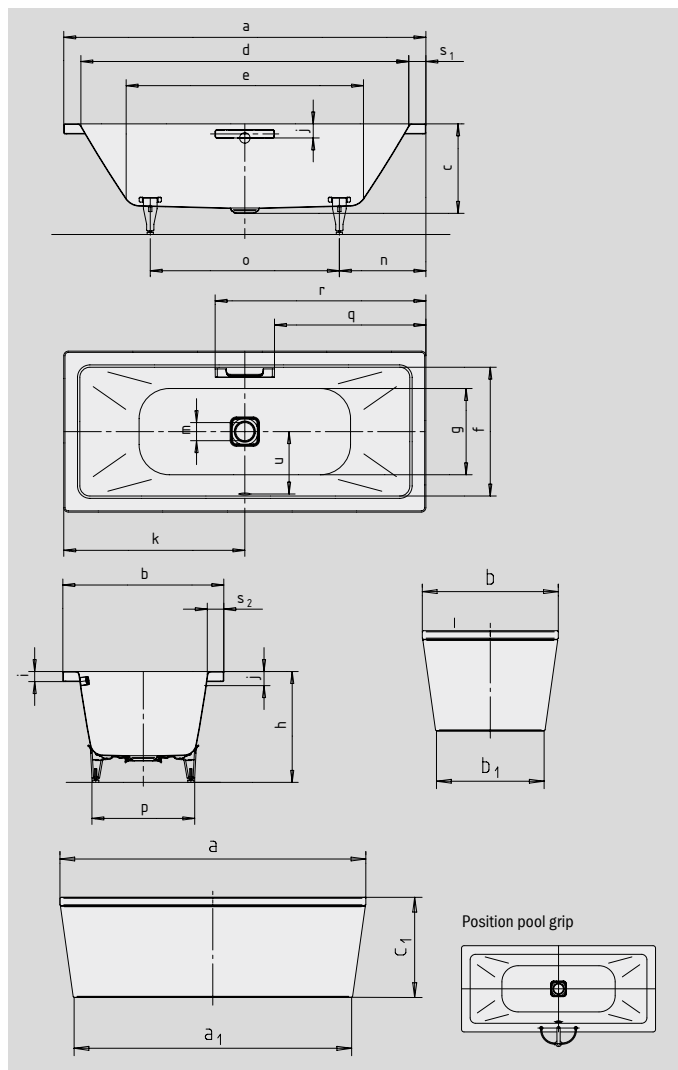
# CONODUO WITH MOULDED PANEL

- straight-lined, purist design
- enamelled waste cover and overflow knob integrated in the bath design
- bathing with a friend: two identical sloping back rests and centrally positioned waste
- classic rectangular model
- made of KALDEWEI steel enamel
- the moulded panel emphasizes the high design standard and means the bath can be free-standing
- designed by Sottsass Associati

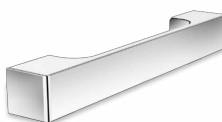


Similar illustration

To order the bath with pre-drilled grip holes on one side, please order model xxxx**1011**xxxx.



## GRIP ELEGANT PURISM



Model No.		733-7	734-7	735-7
External length	a	1800	1900	2000 mm
External length (bottom)	a <sub>1</sub>	1633	1733	1833 mm
External width	b	800	900	1000 mm
External width (bottom)	b <sub>1</sub>	633	733	833 mm
Depth	c	445	445	445 mm
Overall height with panel	c <sub>1</sub>	590	590	590 mm
Internal length (top)	d	1640	1740	1800 mm
<b>Internal length (bottom)</b>	<b>e</b>	<b>1180</b>	<b>1280</b>	<b>1340 mm</b>
Internal width (top)	f	640	740	800 mm
Internal width (bottom)	g	520	620	680 mm
Height with feet	h	555-590	565-600	555-590 mm
Height of rim	i	50	50	50 mm
Distance top edge to centre of overflow hole	j	70	70	70 mm
Distance bath edge to centre of drain hole	k	900	950	1000 mm
Diameter of overflow hole	l	52	52	52 mm
Diameter of drain hole	m	90	90	90 mm
Distance foot end of bath edge to centre of foot	n	555	570	620 mm
Distance between the feet	o	690	760	760 mm
Max. width of feet	p	515	610	675 mm
Distance bath edge to where grip/handle starts	q	752,5	802,5	852,5 mm
Distance bath edge to where grip/handle ends	r	1047,5	1097,5	1147,5 mm
Width of rim (foot end; lengthwise)	s <sub>1</sub> ; s <sub>2</sub>	80; 80	80; 80	100; 100 mm
Distance between centre holes	u	310	360	390 mm
Water volume** in litres		159	220	260
Weight of the enamelled bath in kg		85	100	113
Anti-slip		404 x 404	500 x 500	500 x 500 mm
Full anti-slip		884 x 404	980 x 500	980 x 500 mm

Subject to technical alterations, tolerances and errors. Similar illustration.  
\*\* 70 litres displacement on average.

**KALDEWEI**