

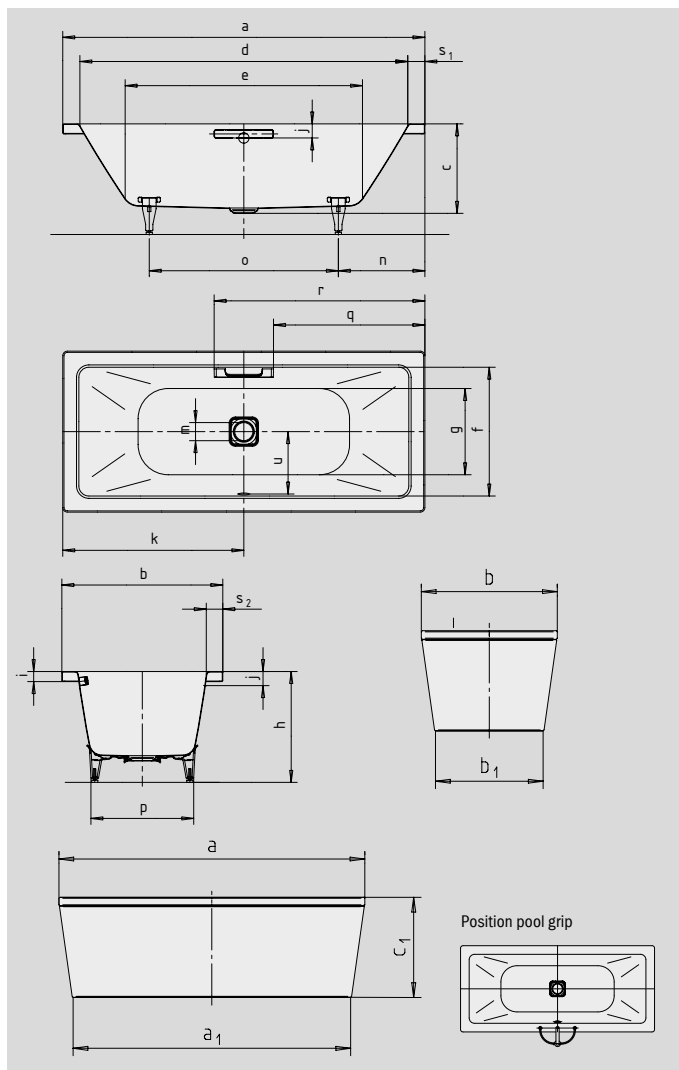
CONODUO WITH MOULDED PANEL

- straight-lined, purist design
- enamelled waste cover and overflow knob integrated in the bath design
- bathing with a friend: two identical sloping back rests and centrally positioned waste
- classic rectangular model
- made of KALDEWEI steel enamel
- the moulded panel emphasizes the high design standard and means the bath can be free-standing
- designed by Sottsass Associati



Similar illustration

To order the bath with pre-drilled grip holes on one side, please order model xxxx**1011**xxxx.



GRIP ELEGANT PURISM



| Model No. | | 733-7 | 734-7 | 735-7 |
|--|---------------------------------|-------------|-------------|----------------|
| External length | a | 1800 | 1900 | 2000 mm |
| External length (bottom) | a ₁ | 1633 | 1733 | 1833 mm |
| External width | b | 800 | 900 | 1000 mm |
| External width (bottom) | b ₁ | 633 | 733 | 833 mm |
| Depth | c | 445 | 445 | 445 mm |
| Overall height with panel | c ₁ | 590 | 590 | 590 mm |
| Internal length (top) | d | 1640 | 1740 | 1800 mm |
| Internal length (bottom) | e | 1180 | 1280 | 1340 mm |
| Internal width (top) | f | 640 | 740 | 800 mm |
| Internal width (bottom) | g | 520 | 620 | 680 mm |
| Height with feet | h | 555-590 | 565-600 | 555-590 mm |
| Height of rim | i | 50 | 50 | 50 mm |
| Distance top edge to centre of overflow hole | j | 70 | 70 | 70 mm |
| Distance bath edge to centre of drain hole | k | 900 | 950 | 1000 mm |
| Diameter of overflow hole | l | 52 | 52 | 52 mm |
| Diameter of drain hole | m | 90 | 90 | 90 mm |
| Distance foot end of bath edge to centre of foot | n | 555 | 570 | 620 mm |
| Distance between the feet | o | 690 | 760 | 760 mm |
| Max. width of feet | p | 515 | 610 | 675 mm |
| Distance bath edge to where grip/handle starts | q | 752,5 | 802,5 | 852,5 mm |
| Distance bath edge to where grip/handle ends | r | 1047,5 | 1097,5 | 1147,5 mm |
| Width of rim (foot end; lengthwise) | s ₁ ; s ₂ | 80; 80 | 80; 80 | 100; 100 mm |
| Distance between centre holes | u | 310 | 360 | 390 mm |
| Water volume** in litres | | 159 | 220 | 260 |
| Weight of the enamelled bath in kg | | 85 | 100 | 113 |
| Anti-slip | | 404 x 404 | 500 x 500 | 500 x 500 mm |
| Full anti-slip | | 884 x 404 | 980 x 500 | 980 x 500 mm |

Subject to technical alterations, tolerances and errors. Similar illustration.
** 70 litres displacement on average.

KALDEWEI