

# MEGA DUO OVAL

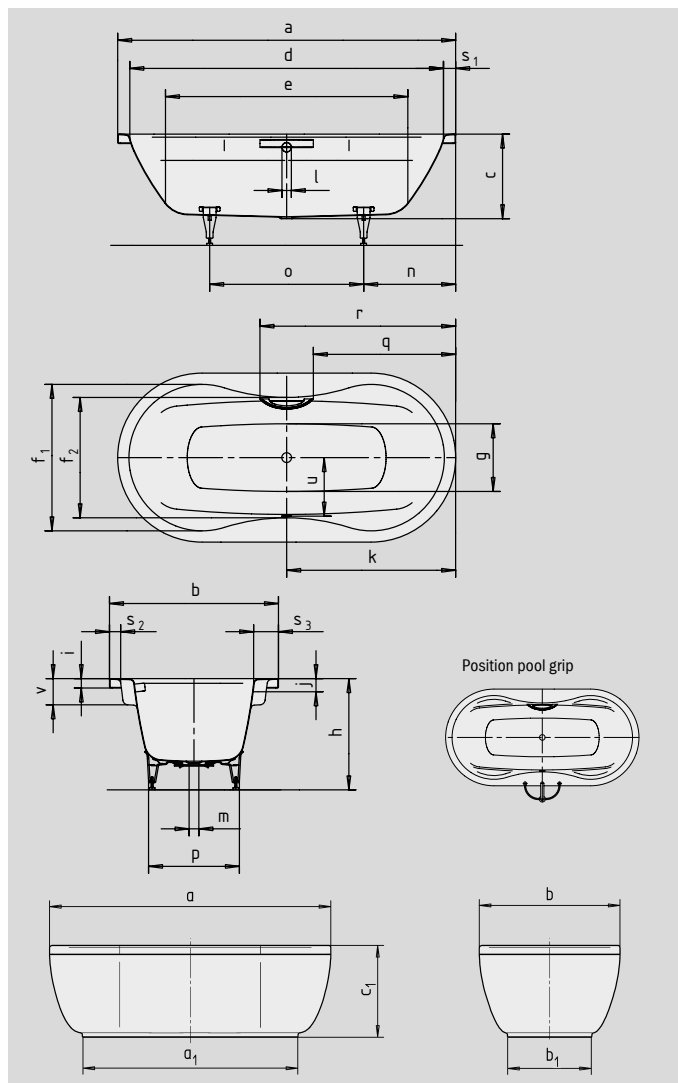
## MEGA DUO OVAL WITH MOULDED PANEL

- bathing with a friend: two identical back rests and centrally positioned waste
- wide arm rests on both sides provide optimum bathing comfort
- made of KALDEWEI steel enamel
- the moulded panel emphasises the high design standard and enables the bath to be free-standing



Similar illustration

To order the bath with pre-drilled grip holes on one side, please order model xxxx**1011**xxxx.



GRIP DISCREET OPULENCE



SKIN TOUCH

SOUND WAVE

COMFORT SELECT

Model No.		184	184-7
External length	a	1800	1800 mm
External width	b	900	900 mm
Depth	c	450	450 mm
External length (bottom)	a <sub>1</sub>	-	1380 mm
External width (bottom)	b <sub>1</sub>	-	540 mm
Overall height with panel	c <sub>1</sub>	-	580 mm
Internal length (top)	d	1680	1680 mm
<b>Internal length (bottom)</b>	<b>e</b>	<b>1290</b>	<b>1290 mm</b>
Internal width (top)	f <sub>1</sub> ; f <sub>2</sub>	780; 640	780; 640 mm
Internal width (bottom)	g	360	360 mm
Height with feet	h	565-600	565-600 mm
Height of rim	i	50	50 mm
Distance top edge to centre of overflow hole	j	70	70 mm
Distance bath edge to centre of drain hole	k	900	900 mm
Diameter of overflow hole	l	52	52 mm
Diameter of drain hole	m	52	52 mm
Distance foot end of bath edge to centre of foot	n	490	490 mm
Distance between the feet	o	820	820 mm
Max. width of feet	p	480	480 mm
Distance bath edge to where grip/handle starts	q	758	758 mm
Distance bath edge to where grip/handle ends	r	1042	1042 mm
Width of rim (foot end; lengthwise)	s <sub>1</sub> ; s <sub>2</sub> ; s <sub>3</sub>	60; 60; 130	60; 60; 130 mm
Distance between centre holes	u	310	310 mm
Armrest depth	v	140	140 mm
Water volume** in litres		186	186
Weight of the enamelled bath in kg		55	87
Anti-slip		∅ 435	∅ 435 mm
Full anti-slip		900 x 300	900 x 300 mm

Note: The operational system may protrude on some whirl systems.  
Please refer to the Technical Information for Whirl Systems for further information.  
Subject to technical alterations, tolerances and errors. Similar illustration.  
\*\* 70 litres displacement on average.

**KALDEWEI**