

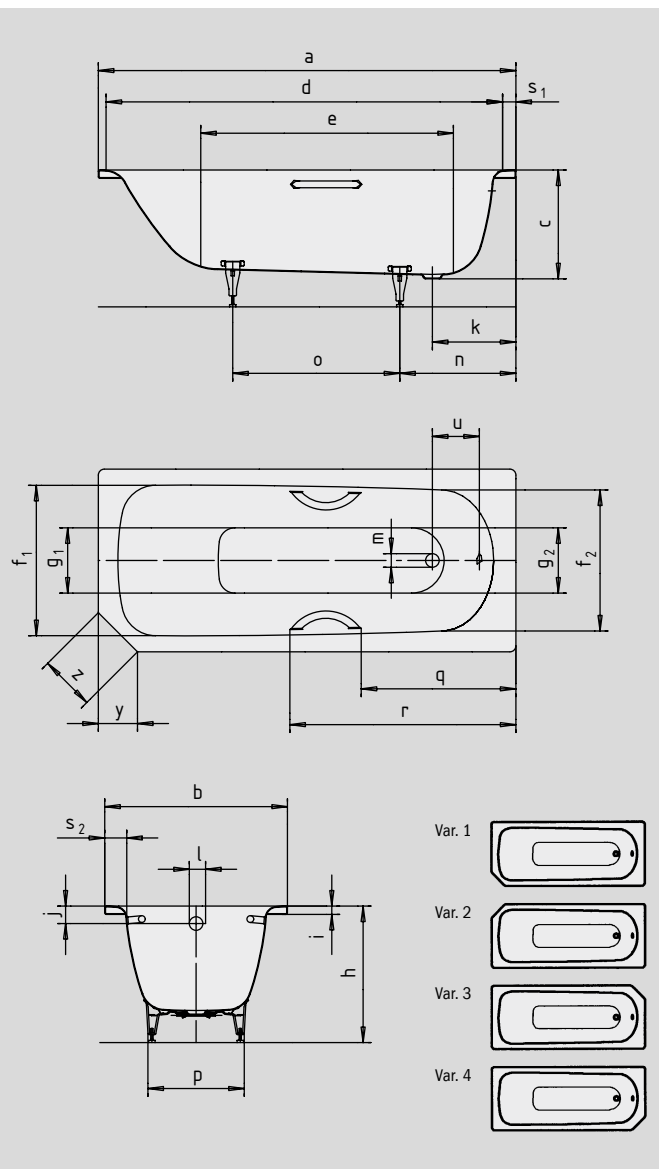
SANIFORM V1-V4

SANIFORM V1-V4 STAR

- optimum space utilisation in small bathrooms because corner is absent
- one-seater bath with waste at foot end
- classic four-cornered model
- made of KALDEWEI steel enamel
- also available with grips



Similar illustration



| Model No. | | 362-1/332 |
|--|---------------------------------|----------------|
| External length | a | 1600 mm |
| External width | b | 700 mm |
| Depth | c | 410 mm |
| Internal length (top) | d | 1430 mm |
| Internal length (bottom) | e | 1050 mm |
| Internal width (top) | f ₁ ; f ₂ | 550; 530 mm |
| Internal width (bottom) | g ₁ ; g ₂ | 390; 350 mm |
| Height with feet | h | 545-560 mm |
| Height of rim | i | 32 mm |
| Distance top edge to centre of overflow hole | j | 63 mm |
| Distance bath edge to centre of drain hole | k | 310 mm |
| Diameter of overflow hole | l | 52 mm |
| Diameter of drain hole | m | 52 mm |
| Distance foot end of bath edge to centre of foot | n | 452,5 mm |
| Distance between the feet | o | 600 mm |
| Max. width of feet | p | 380 mm |
| Distance bath edge (foot end) to where grip/handle starts (Mod. 332) | q | 584,5 mm |
| Distance bath edge (foot end) to where grip/handle ends (Mod. 332) | r | 858,5 mm |
| Width of rim (foot end; lengthwise) | s ₁ ; s ₂ | 70; 75 mm |
| Distance between centre holes | u | 212 mm |
| Oblique | y | 150 mm |
| Side length | z ₁ | 212 mm |
| Water volume** in litres | | 93 |
| Weight of the enamelled bath in kg | | 46 |
| Anti-slip | | ∅ 288 mm |
| Full anti-slip | | 600 x 220 mm |

Subject to technical alterations, tolerances and errors. Similar illustration.
 ** 70 litres displacement on average.

KALDEWEI