

# SUPERPLAN XXL

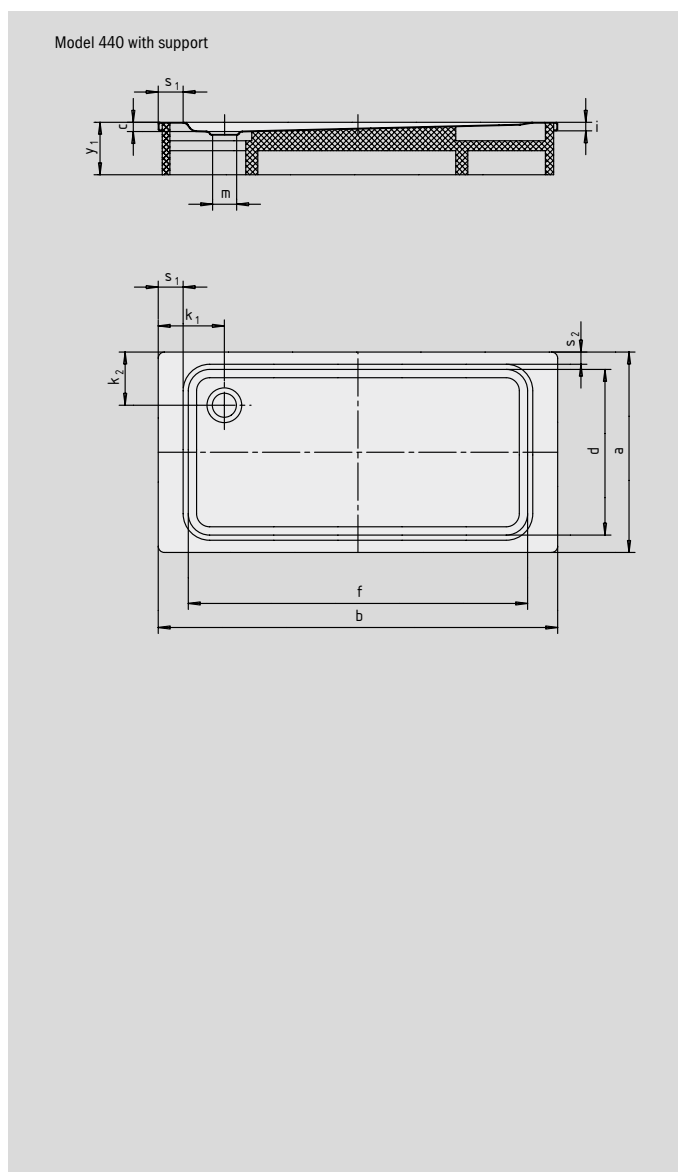
- exclusive, elegant design
- generous dimensions ideal for showering with a friend
- shallow depth ideal for floor level installation and guarantees easy access
- made of KALDEWEI steel enamel
- flush-fitting recessed waste cover  
(only in combination with the KA 90 waste fittings)



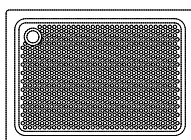
Similar illustration

| Modell           | Combined Tray & Waste depth |     |     |     | Waste fitting depth |     |     |     |
|------------------|-----------------------------|-----|-----|-----|---------------------|-----|-----|-----|
|                  | 436                         | 448 | 440 | 443 | 436                 | 448 | 440 | 443 |
| KA 90            | 120                         | 120 | 123 | 123 | 81                  | 81  | 81  | 81  |
| KA 90 extra flat | 109                         | 109 | 112 | 112 | 70                  | 70  | 70  | 70  |
| KA 90 ultra flat | 100                         | 100 | 103 | 103 | 61                  | 61  | 61  | 61  |
| KA 90 vertical   | 49                          | 49  | 49  | 49  | 81                  | 81  | 81  | 81  |

See page 291.



| Model No.                                  | 436                             | 448        | 440        | 443        |               |
|--|---------------------------------|------------|------------|------------|---------------|
| External length                            | a                               | 750        | 800        | 900        | 1000 mm       |
| External width                             | b                               | 1600       | 1600       | 1600       | 1600 mm       |
| Depth                                      | c                               | 40         | 40         | 43         | 43 mm         |
| Internal length                            | d                               | 650        | 640        | 790        | 890 mm        |
| Internal width                             | f                               | 1280       | 1300       | 1280       | 1280 mm       |
| Height of rim                              | i                               | 32         | 32         | 32         | 32 mm         |
| Distance bath edge to centre of drain hole | k <sub>1</sub> ; k <sub>2</sub> | 300; 200   | 300; 225   | 300; 200   | 300; 200 mm   |
| Diameter of drain hole                     | m                               | 90         | 90         | 90         | 90 mm         |
| Width of rim                               | s <sub>1</sub> ; s <sub>2</sub> | 150; 50    | 150; 75    | 150; 50    | 150; 50 mm    |
| Height with support                        | y <sub>1</sub>                  | 135        | 135        | 135        | 135 mm        |
| Weight of the enamelled shower tray in kg  |                                 | 31         | 32         | 37         | 41            |
| Anti-slip                                  |                                 | 856 x 300  | 300 x 856  | 856 x 549  | 856 x 549 mm  |
| Full anti-slip                             |                                 | 524 x 1177 | 524 x 1177 | 649 x 1177 | 773 x 1177 mm |



The TÜV Rheinland confirms the following properties of KALDEWEI's anti-slip and full anti-slip finish:

- Assessment group **B** for wet barefoot areas (**DIN 51097**)
- Assessment group **R 10** for slip-resistant properties in work rooms and areas with an increased risk of slipping (**DIN 51130**)