

SUPERPLAN XXL

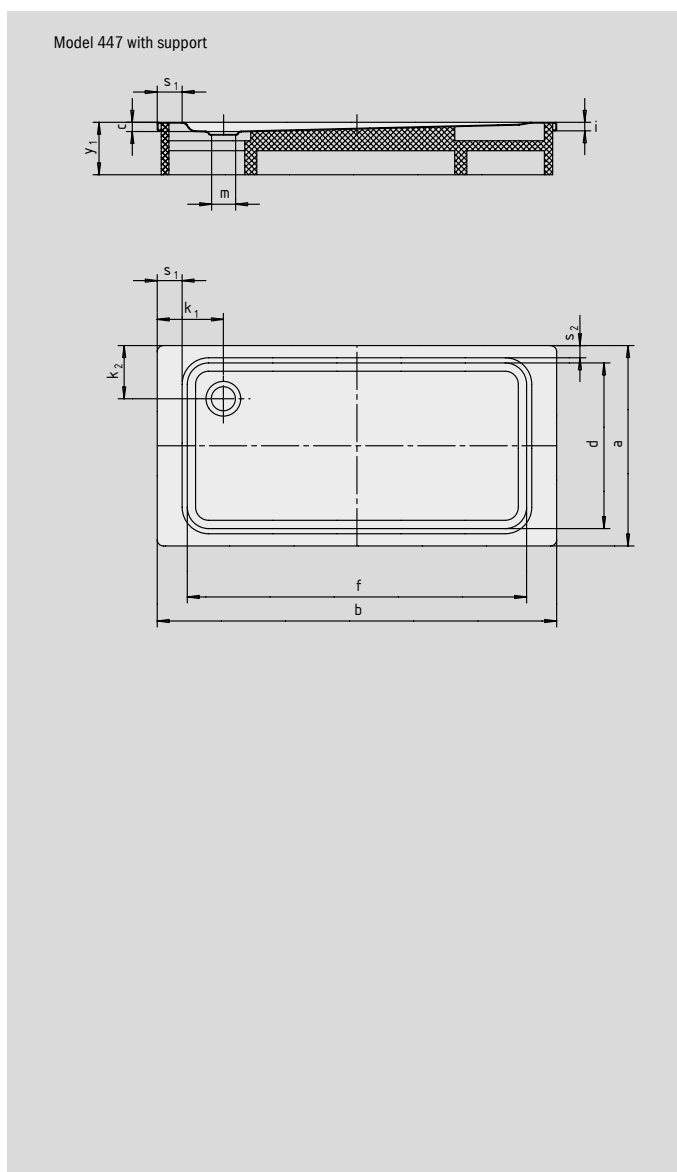
- exclusive, elegant design
- generous dimensions ideal for showering with a friend
- shallow depth ideal for floor level installation and guarantees easy access
- made of KALDEWEI steel enamel
- flush-fitting recessed waste cover (only in combination with the KA 90 waste fittings)



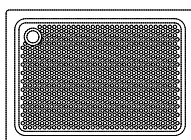
Similar illustration

| Modell | Combined Tray & Waste depth | | | | Waste fitting depth | | | |
|------------------|-----------------------------|-----|-----|-----|---------------------|-----|-----|-----|
| | 429 | 412 | 433 | 435 | 429 | 412 | 433 | 435 |
| KA 90 | 123 | 123 | 119 | 120 | 81 | 81 | 81 | 81 |
| KA 90 extra flat | 112 | 112 | 108 | 109 | 70 | 70 | 70 | 70 |
| KA 90 ultra flat | 103 | 103 | 99 | 100 | 61 | 61 | 61 | 61 |
| KA 90 vertical | 49 | 49 | 49 | 49 | 81 | 81 | 81 | 81 |

See page 291.



| Model No. | 429 | 412 | 433 | 435 | |
|--|---------------------------------|------------|------------|------------|---------------|
| External length | a | 900 | 1000 | 700 | 750 mm |
| External width | b | 1400 | 1400 | 1500 | 1500 mm |
| Depth | c | 43 | 43 | 39 | 40 mm |
| Internal length | d | 790 | 890 | 590 | 650 mm |
| Internal width | f | 1290 | 1290 | 1290 | 1290 mm |
| Height of rim | i | 32 | 32 | 32 | 32 mm |
| Distance bath edge to centre of drain hole | k ₁ ; k ₂ | 200 | 200 | 250; 200 | 250; 200 mm |
| Diameter of drain hole | m | 90 | 90 | 90 | 90 mm |
| Width of rim | s _{1,2} | 50 | 50 | 100; 50 | 100; 50 mm |
| Height with support | y ₁ | 135 | 135 | 135 | 135 mm |
| Weight of the enamelled shower tray in kg | | 33 | 36 | 27 | 30 |
| Anti-slip | | 856 x 549 | 856 x 549 | 856 x 300 | 856 x 300 mm |
| Full anti-slip | | 649 x 1177 | 773 x 1177 | 461 x 1177 | 524 x 1177 mm |



The TÜV Rheinland confirms the following properties of KALDEWEI's anti-slip and full anti-slip finish:

- Assessment group **B** for wet barefoot areas (**DIN 51097**)
- Assessment group **R 10** for slip-resistant properties in work rooms and areas with an increased risk of slipping (**DIN 51130**)