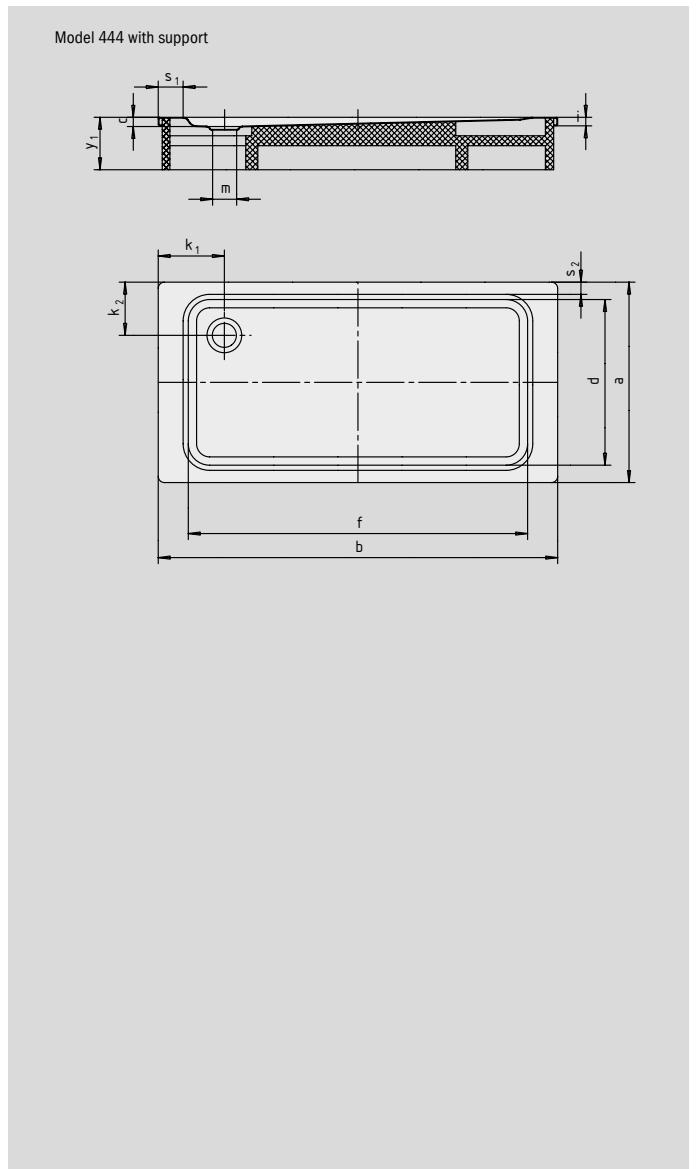


# SUPERPLAN XXL

- exclusive, elegant design
- generous dimensions ideal for showering with a friend
- shallow depth ideal for floor level installation and guarantees easy access
- made of KALDEWEI steel enamel
- flush-fitting recessed waste cover (only in combination with the KA 90 waste fittings)



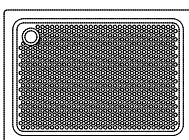
Similar illustration



Modell	Combined Tray & Waste depth				Waste fitting depth			
	409	411	430	444	409	411	430	444
KA 90	127	127	131	131	81	81	81	81
KA 90 extra flat	116	116	120	120	70	70	70	70
KA 90 ultra flat	107	107	111	111	61	61	61	61
KA 90 vertical	49	49	49	49	81	81	81	81

See page 275.

Model No.	409	411	430	444	
External length	a	700	750	900	1000 mm
External width	b	1700	1700	1700	1700 mm
Depth	c	47	47	51	1700 mm
Internal length	d	590	640	790	790 mm
Internal width	f	1590	1590	1590	1590 mm
Height of rim	i	32	32	32	32 mm
Distance tray edge to centre of drain hole	k <sub>1</sub> ; k <sub>2</sub>	200	200	200	200; 250 mm
Diameter of drain hole	m	90	90	90	90 mm
Width of rim	s <sub>1,2</sub>	50	50	50	50; 100 mm
Height with support	y <sub>1</sub>	145	145	145	145 mm
Weight of the enamelled shower tray in kg		32	33	40	44
Anti-slip		856 x 300	856 x 300	856 x 549	856 x 549 mm
Full anti-slip		461 x 1465	524 x 1465	649 x 1465	649 x 1465 mm



The TÜV Rheinland confirms the following properties of KALDEWEI's anti-slip and full anti-slip finish:

- Assessment group **B** for wet barefoot areas (**DIN 51097**)
- Assessment group **R 10** for slip-resistant properties in work rooms and areas with an increased risk of slipping (**DIN 51130**)