

# ZIRKON

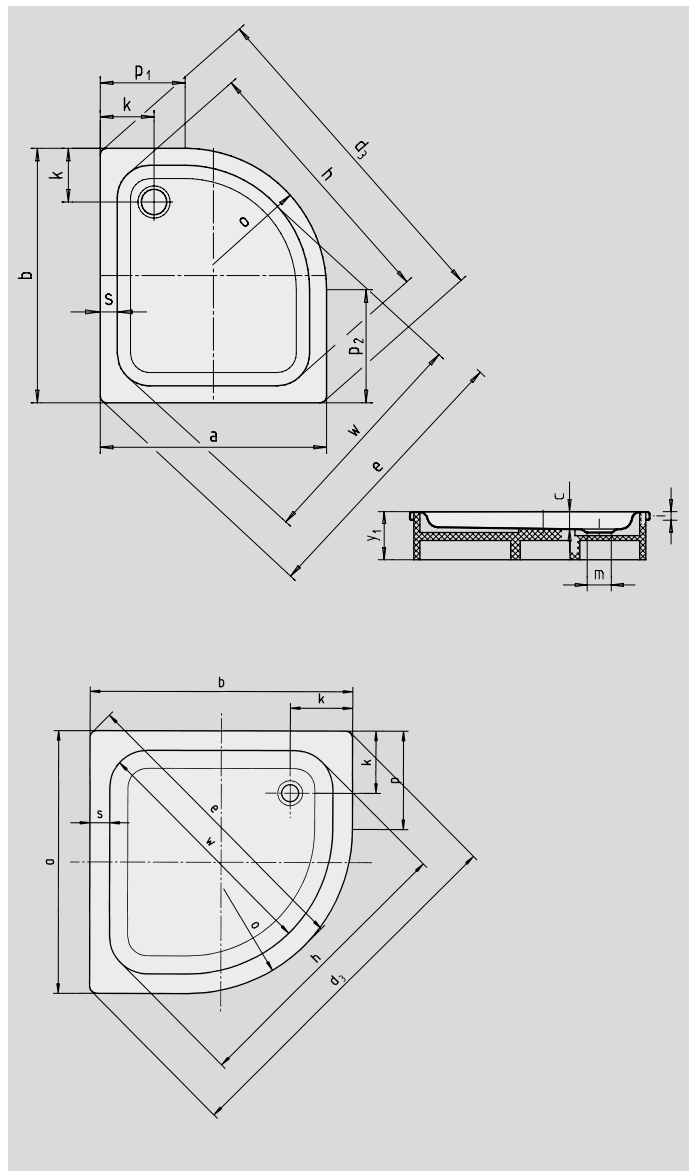
- clear design, large standing area
- side waste
- elegant, functional quadrant form allows it to be intelligently installed even in the smallest of spaces
- made of KALDEWEI steel enamel
- flush-fitting recessed waste cover (only in combination with the KA 90 waste fittings)



Similar illustration

	Combined Tray & Waste depth	Waste fitting depth
KA 90	145	81
KA 90 extra flat	134	70
KA 90 ultra flat	125	61
KA 90 vertical	49	81

See page 291.



Model No.		511	513	510
External length	a	800	900	1000 mm
External width	b	800	900	1000 mm
Depth	c	65	65	65 mm
Corner dimension - external length	d <sub>3</sub>	1115	1256	1397 mm
Corner dimension - external width	e	916	1057	1198 mm
Corner dimension - internal length	h	876	1018	1149 mm
Height of rim	i	32	32	32 mm
Distance bath edge to centre of drain hole	k	190	190	190 mm
Diameter of drain hole	m	90	90	90 mm
Radius	e	500	500	500 mm
Side length	p	300	400	500 mm
Width of rim	s	55	55	55 mm
Corner dimension - internal width	w	742	883	1015 mm
Height with support	y <sub>1</sub>	160	160	160 mm
Weight of the enamelled shower tray in kg		17	22	26
Anti-slip		∅ 435	∅ 435	∅ 588 mm

Subject to technical alterations, tolerances and errors. Similar illustration.

**KALDEWEI**